

TOSHIBA BIPOLAR DIGITAL INTEGRATED CIRCUIT MULTI CHIP

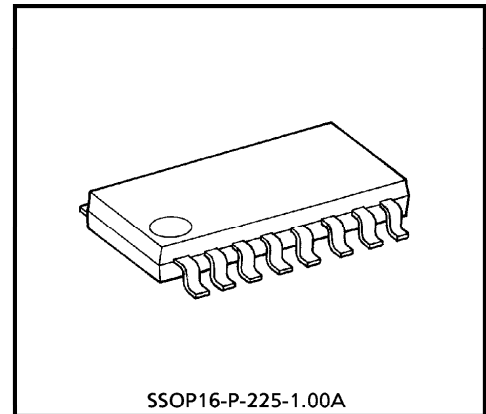
TD62M4700F

EXCELLENT LOW SATURATION H-BRIDGE DRIVER

TD62M4700F is low voltage use Multi Chip H-Bridge Driver IC incorporates 4 low saturation discrete Transistors which equipped bias resistor and diode. This IC is designed especially for Camera Winding Motors, FDD Stepper Motors and other portable equipments.

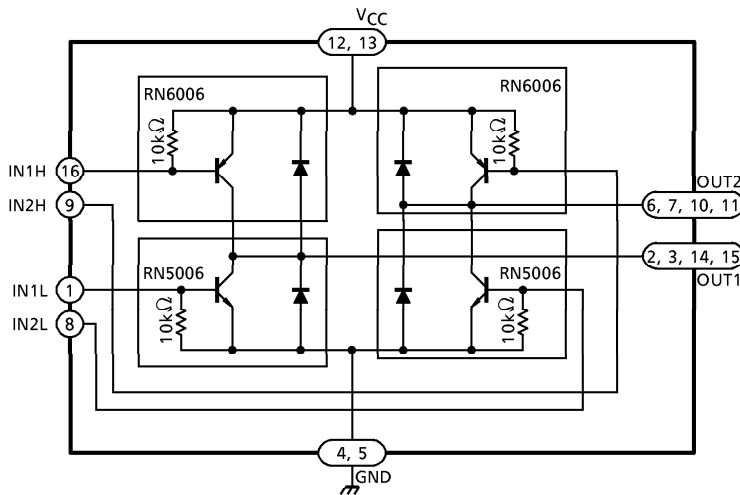
FEATURES

- MFP-16 1mm pitch small package sealed
- Bias resistor and diodes are equipped
R = 10kΩ
- Excellent low saturation voltage
 $V_{CE(SAT)} = 0.29V$ (Typ.) at $I_O = 1A$
 $V_{CE(SAT)} = 0.53V$ (Typ.) at $I_O = 2A$
 (Upper and lower side total)

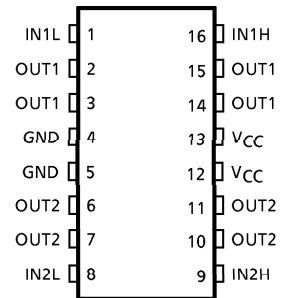


SSOP16-P-225-1.00A
Weight : 0.14g (Typ.)

BLOCK DIAGRAM



PIN CONNECTION (TOP VIEW)



961001EBA2

- TOSHIBA is continually working to improve the quality and the reliability of its products. Nevertheless, semiconductor devices in general can malfunction or fail due to their inherent electrical sensitivity and vulnerability to physical stress. It is the responsibility of the buyer, when utilizing TOSHIBA products, to observe standards of safety, and to avoid situations in which a malfunction or failure of a TOSHIBA product could cause loss of human life, bodily injury or damage to property. In developing your designs, please ensure that TOSHIBA products are used within specified operating ranges as set forth in the most recent products specifications. Also, please keep in mind the precautions and conditions set forth in the TOSHIBA Semiconductor Reliability Handbook.
- The products described in this document are subject to foreign exchange and foreign trade control laws.
- The information contained herein is presented only as a guide for the applications of our products. No responsibility is assumed by TOSHIBA CORPORATION for any infringements of intellectual property or other rights of the third parties which may result from its use. No license is granted by implication or otherwise under any intellectual property or other rights of TOSHIBA CORPORATION or others.
- The information contained herein is subject to change without notice.

MAXIMUM RATINGS (Ta = 25°C)

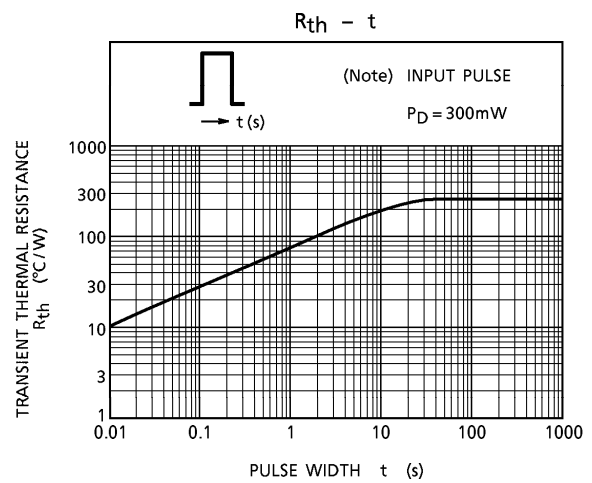
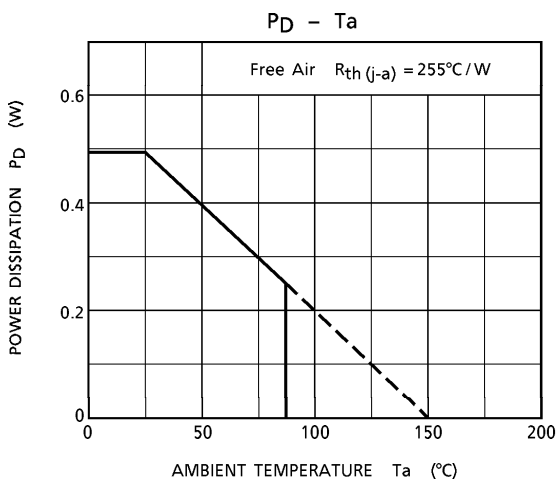
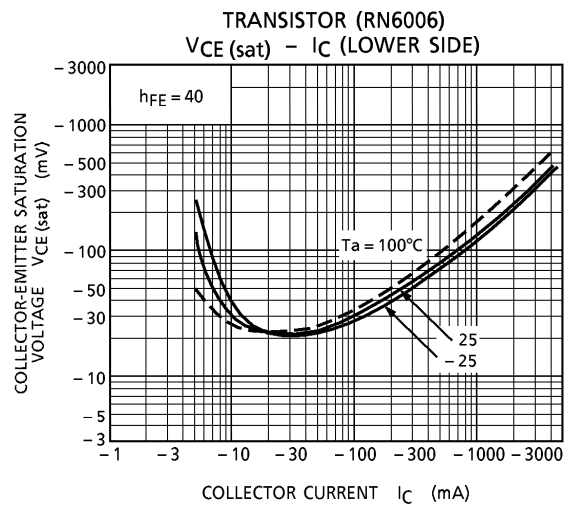
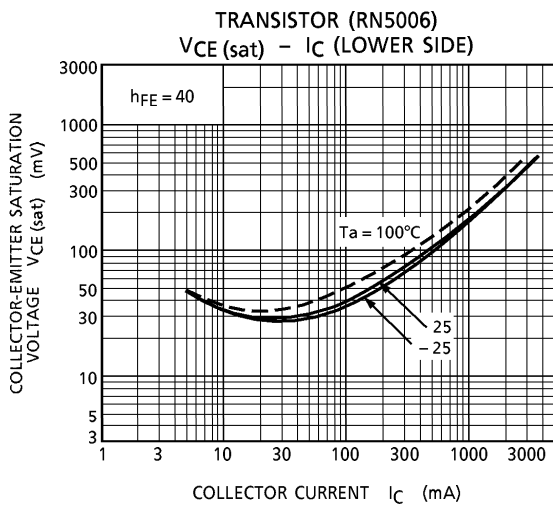
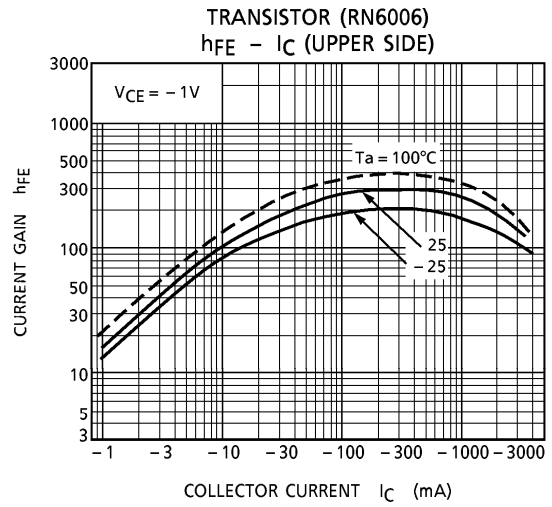
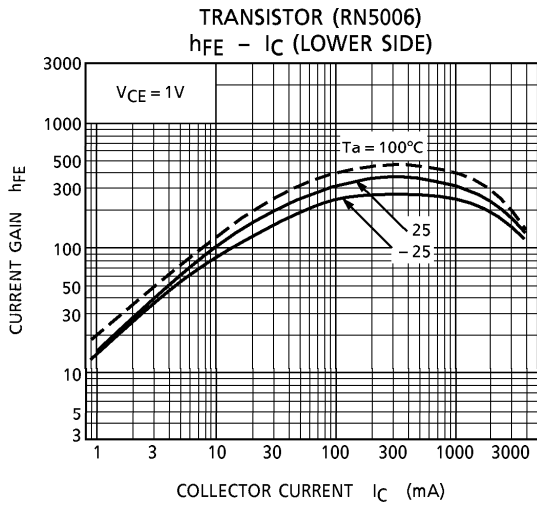
CHARACTERISTIC	SYMBOL	RATING	UNIT
Supply Voltage	V _{CC}	10	V
Breakdown Voltage	V _{CB0}	10	V
	V _{CER}	10	V
	V _{EBO}	6	V
Output Current (Average)	I _{OUT}	2	A
Output Current (Peak)	I _O (PEAK)	(*) 4	A
Base Current	I _B	± 0.4	A
Base Current (Peak)	I _B (PEAK)	(*) ± 0.8	A
Diode Forward Current	I _F	(**) 2	A
Power Dissipation	P _D	490	mW
Junction Temperature	T _j	150	°C
Operating Temperature	T _{opr}	- 40~85	°C
Storage Temperature	T _{stg}	- 55~150	°C

(*) t = 10ms MAX. and maximum duty is less than 30%.

(**) t = 10ms single pulse

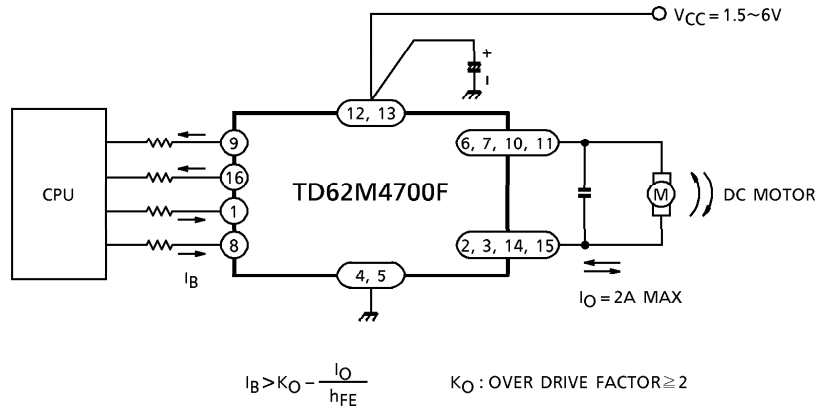
ELECTRICAL CHARACTERISTICS (Ta = 25°C)

CHARACTERISTIC		SYMBOL	TEST CIR-CUIT	CONDITION	MIN.	TYP.	MAX.	UNIT
Current Gain		h _{FE} (1)	—	V _{CE} = 1V, I _C = 0.5A	160	—	600	—
		h _{FE} (2)	—	V _{CE} = 1V, I _C = 2.0A	60	130	—	
Saturation Voltage	Upper Side	V _{CE} (sat)	—	I _C = - 1A, I _B = - 25mA	—	- 0.16	- 0.22	V
				I _C = - 2A, I _B = - 50mA	—	- 0.28	- 0.45	
	Lower Side			I _C = 1A, I _B = 25mA	—	0.13	0.22	
				I _C = 2A, I _B = 50mA	—	0.25	0.45	
	Summing Total			I _C = 1A, I _B = 25mA	—	0.29	0.42	
				I _C = 2A, I _B = 50mA	—	0.53	0.85	
Transition Frequency		f _T	—	V _{CE} = 2V, I _C = 0.5A	—	150	—	MHz
Leakage Current	Upper Side	I _{OL}	—	V _{CC} = - 10V	—	0	- 5	μA
	Lower Side			V _{CC} = 10V	—	0	5	
Diode Forward Voltage	Upper Side	V _F	—	I _F = - 300mA	—	- 0.89	- 1.2	V
				I _F = - 450mA 10ms pulse	—	- 1.60	—	
	Lower Side			I _F = 300mA	—	0.89	1.2	
				I _F = 450mA 10ms pulse	—	1.60	—	
Base-Emitter Resistor		R _{BE}	—	—	7	10	13	kΩ
Base-Emitter Forward Voltage	Upper Side	V _{BE} (PNP)	—	V _{CE} = - 1V, I _C = - 2A	—	- 0.84	- 1.5	V
	Lower Side	V _{BE} (NPN)	—	V _{CE} = 1V, I _C = 2A	—	0.84	1.5	

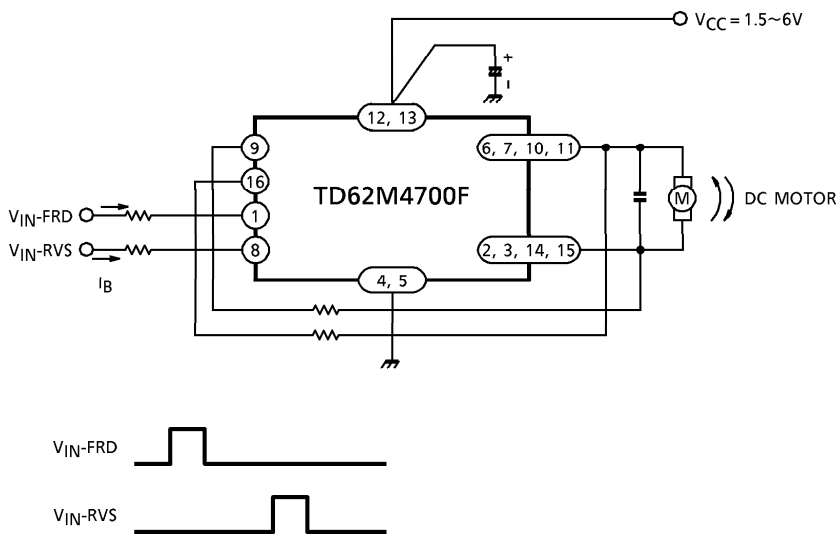


APPLICATION CIRCUIT

(1)



(2)

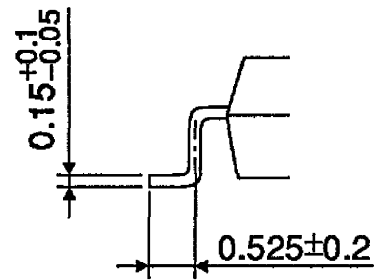
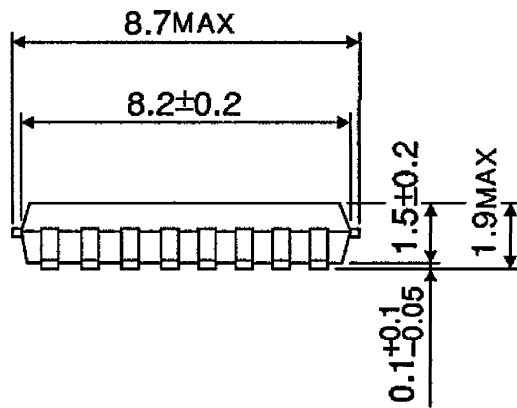
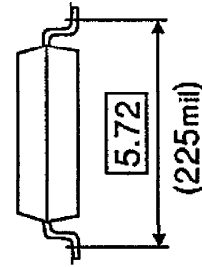
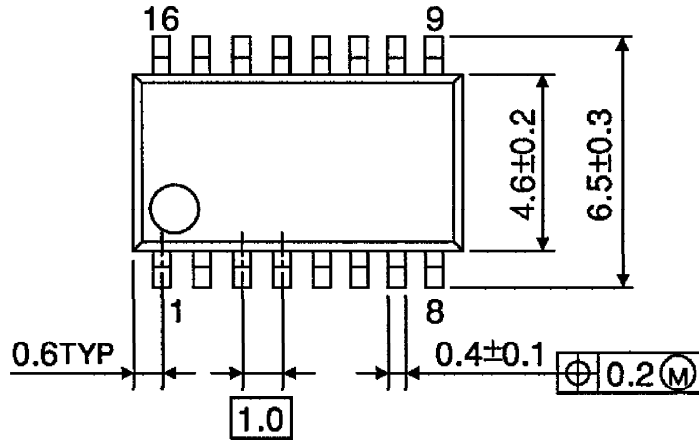


PRECAUTIONS for USING

Utmost care is necessary in the design of the output line, V_{CC} and GND line since IC may be destroyed due to short-circuit between outputs, air contamination fault, or fault by improper grounding.

OUTLINE DRAWING
SSOP16-P-225-1.00A

Unit : mm



Weight : 0.14g (Typ.)